

MaxCap Reg

SENSING

ANALYSIS

DELIVERY

*"A single-use, colorimetric
CO₂ indicator."*



Connects to
Resuscitation Bag

Connects to ET Tube



Multicolored Indicator
Shows Exhaled CO₂

MAXCAP REG OVERVIEW

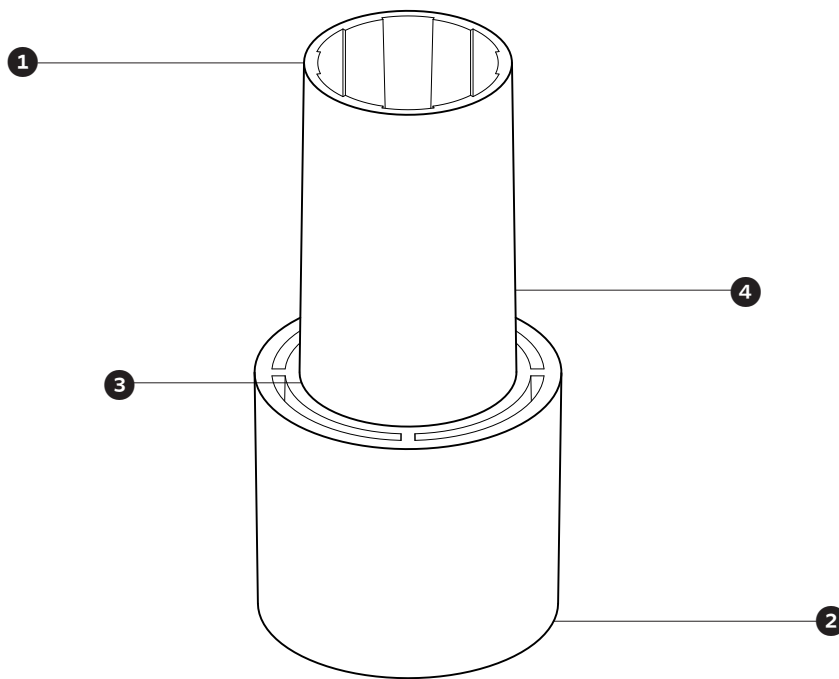
The **MaxCap Reg** is a single-use, colorimetric ETCO₂ detector that's used to determine proper ET tube placement during intubation. The MaxCap Reg attaches between the endotracheal tube and resuscitation bag and will change colors (from purple to yellow) with the presence of CO₂, indicating proper tube placement.

PART NUMBERS

MaxCap Reg R500P30

COMING SOON:

MaxCap Ped
MaxCap Neo



1. 15 mm Inlet

Connects to resuscitation bag

2. 22 mm Outlet

Connects to ET tube

3. CO₂ Indication Label

Colored by CO₂ range from 0% to 5%

4. Multi-Colored CO₂ Indicator

Color ranges based on CO₂ level

Specifications

CO ₂ % Detection	0%, 1-2%, >5%
Use Duration	6 hours
Storage Temperature	5°C (41°F) to 25°C (75°F)
Use Temperature	10°C (50°F) to 40°C (104°F)
Internal Volume	7 ml
Device Weight	6 grams
Pressure Drop	
at 30 LPM	0.6 cmH ₂ O
at 60 LPM	2.4 cmH ₂ O
at 90 LPM	5.4 cmH ₂ O
Connector Ports (ISO 5356-1)	
Patient End	15mm I.D. / 22mm O.D.
Ventilator End	15mm O.D.
Device Dimensions (L x W x H)	0.866 x 0.866 x 1.8 (inches)
Shipping Dimensions (L x W x H)	5 x 3.375 x 9.3125 (inches)
Shipping Weight	178 grams
Latex Free	Yes
PVC Free	Yes
RoHS Compliant	Yes
Shelf Life	1 year
Dead Space	7 ml
Resistance	2.4 @ 60 LPM